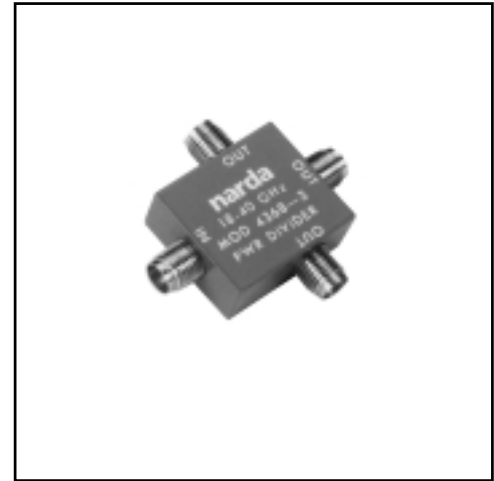


# Power Dividers

## 2-40 GHz

### 3-WAY POWER DIVIDERS

- True Three-Way Power Dividers
- Octave Band Frequency Coverage
- Small Size
- High Isolation Between Output Ports



## SPECIFICATIONS

FREQUENCY RANGE (GHz)	MODEL	VSWR All Ports (Max)		INSERTION LOSS dB		ISOLATION dB (Min)	AMP BAL dB		PHASE BAL Deg. (Max)		AVG POWER (Watts)	WEIGHT Oz Gr (Max)	
		18-37	37-40	18-26.5	26.5-40		18-26.5	26.5-40	18-26.5	26.5-40		Oz	Gr
18.0-40.0	4368-3	1.9:1	2.5:1	1.4	1.6	14	0.7	1.2	9°	12°	1.0	0.6	17

\*Power Rating based on load VSWR of 3 to 1. If load is 1.2 to 1, maximum power is 3W CW.

FREQUENCY RANGE (GHz)	MODEL	VSWR INPUT (Max)			VSWR OUTPUT (Max)			INSERTION LOSS dB			ISOLATION dB (Min)			AMP. BAL dB	PHASE BAL (Degrees)	AVERAGE POWER* (Watts)	WEIGHT Oz Gr	
		2-3	3-5	5-6	2.0-2.5	2.5-5.5	5.5-6.0	2-3	3-5	5-6	2-3	3-5	5-6				Oz	Gr
2-6	4323-3	2.0:1	1.5:1	2.0:1	1.5:1	0.9	0.5	0.9	12	15	12	0.4	8°	1	.96	27		

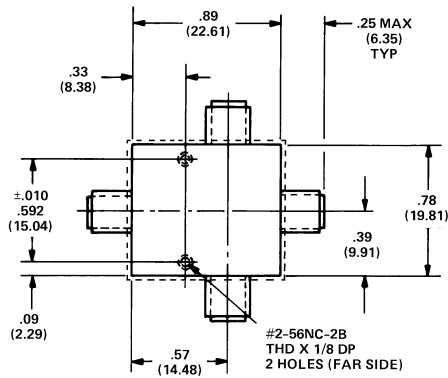
FREQUENCY RANGE (GHz)	MODEL	VSWR INPUT (Max)			VSWR OUTPUT (Max)			INSERTION LOSS dB		ISOLATION dB (Min)		AMP. BAL dB	PHASE BAL (Degrees)	AVERAGE POWER* (Watts)	WEIGHT Oz Gr	
		6.0-7.2	7.2-15.6	15.6-18.0	6.0-17.0	17.0-18.0	6-17	17-18	6-17	17-18	Oz				Gr	
6-18	4326-3	2.0:1	1.5:1	2.0:1	1.5:1	2.0:1	0.9	1.2	15	12	0.5	10°	1	.63	18	

\*Power Rating into 2 to 1 VSWR Load

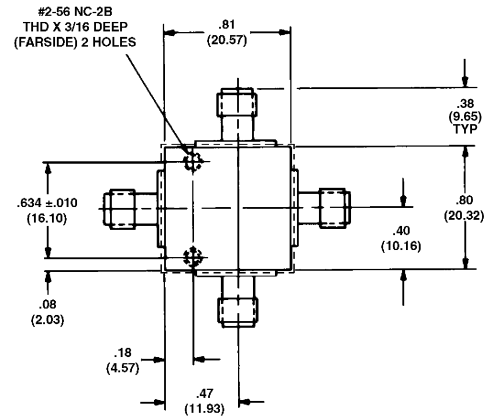
\*\* Connectors SMA except Model 4368-3 which uses 2.9mm connectors (SMA compatible)

# Power Dividers

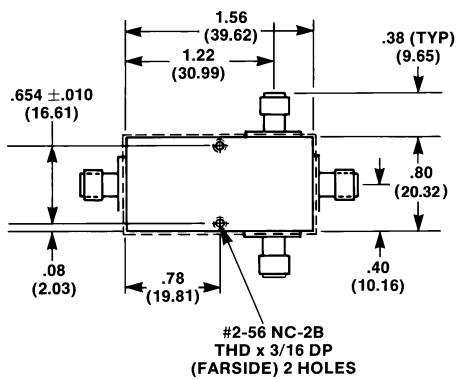
## OUTLINE DRAWINGS



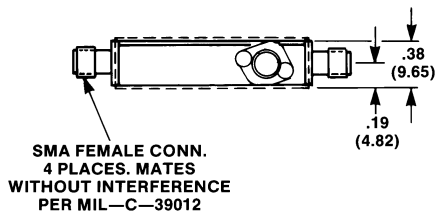
MODEL 4368-3



MODEL 4326-3



MODEL 4323-3



Dimensions in parentheses are in millimeters and for reference only.

Dotted area represents .020 Max buildup of sealant.